

RATIONALE

TO CORRECT TYPO ERROR IN NOTE 8 DELETE "W" AND SUBSTITUTE "H".

NOTICE

THE INITIAL SAE PUBLICATION OF THIS DOCUMENT WAS TAKEN DIRECTLY FROM U.S MILITARY STANDARD MS21944C. THIS SAE STANDARD RETAINS THE SAME PART NUMBER ESTABLISHED BY THE ORIGINAL MILITARY DOCUMENT.

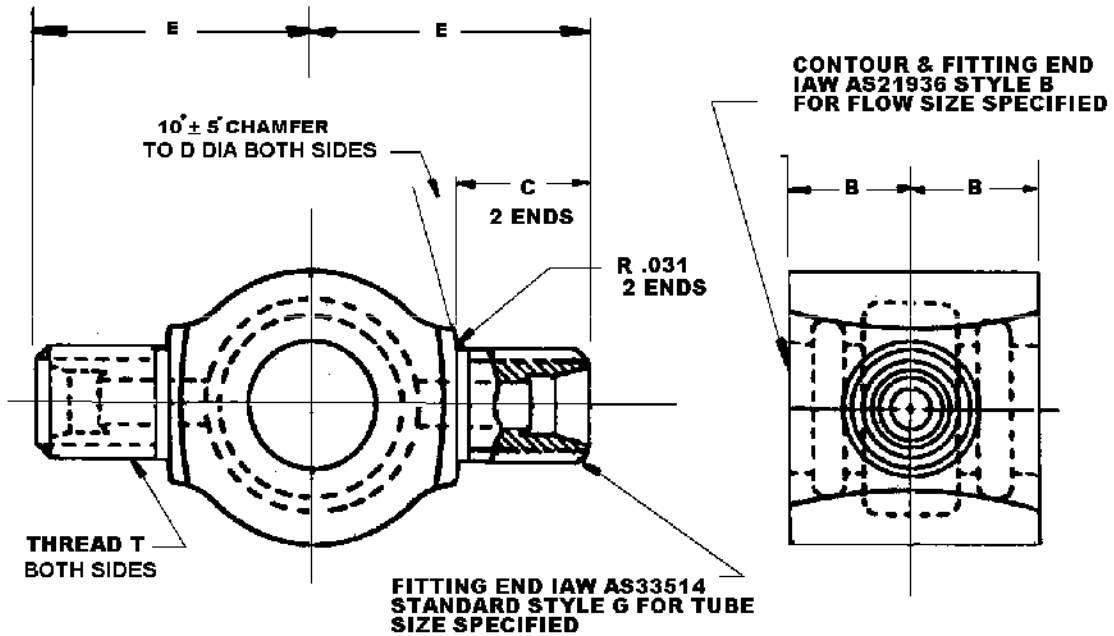


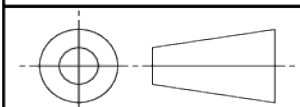
FIGURE 1 - BOLT, CLUSTER FITTING, TWO WAY, 180° FLARELESS DIMENSIONS AND CONFIGURATION

TABLE 1A - BODY, TWO WAY, 180° FLARELESS, LOW FLOW DIMENSIONS

LOW FLOW SIZE DASH NO.	TUBE OD	THREAD T AS8879	B	C	D	E	WEIGHT LB EACH APPROX
-3L	.1875	.3750-24 UNJF-3A	.500	.484	.710	1.047	.031
-4L	.2500	.4375-20 UNJF-3A	.500	.531	.710	1.094	.032
-5L	.3125	.5000-20 UNJF-3A	.500	.531	.710	1.094	.033
-6L	.3750	.5625-18 UNJF-3A	.500	.562	.710	1.125	.033

INACTIVE PART /14/

THIRD ANGLE PROJECTION



CUSTODIAN: SAE G-3/G-3B

PROCUREMENT SPECIFICATION: AS18280 /10/

SAE Aerospace
An SAE international Group

AEROSPACE STANDARD

BODY, CLUSTER FITTING,
TWO WAY, 180°,
FLARELESS

SAE AS21944B
SHEET 1 OF 3

SAE Technical Standards Board Rules provide that: "This report is published by SAE to advance the state of technical and engineering sciences. The use of this report is entirely voluntary, and its applicability and suitability for any particular use, including any patent infringement arising therefrom, is the sole responsibility of the user." SAE reviews each technical report at least every five years at which time it may be reaffirmed, revised, or cancelled. SAE invites your written comments and suggestions.

TABLE 1B - BODY, TWO WAY, 180° FLARELESS, HIGH FLOW DIMENSIONS

HIGH FLOW SIZE DASH NO.	TUBE OD	THREAD T AS8879	B	C	D	E	WEIGHT LB EACH APPROX
-4H	.2500	.4375-20 UNJF-3A	.594	.531	.710	1.343	.069
-5H	.3125	.5000-20 UNJF-3A	.594	.531	.710	1.343	.071
-6H	.3750	.5625-18 UNJF-3A	.594	.562	.710	1.375	.072
-8H	.5000	.7500-16 UNJF-3A	.594	.656	.750	1.469	.073

NOTES:

1. MATERIALS: ALUMINUM ALLOY 7075 SEE PROCUREMENT SPECIFICATION.
2. FINISH: SEE PROCUREMENT SPECIFICATION.
3. REMOVE BURRS AND SHARP EDGES.
4. INSTALLATION IN ACCORDANCE WITH MS21931.
5. SURFACE FINISH IN ACCORDANCE WITH ASME B46.1. UNLESS OTHERWISE SPECIFIED ALL OUTSIDE MACHINED SURFACE SHALL BE 125 μ m Ra AND ALL INSIDE SURFACE SHALL BE 250 μ m Ra.
6. DIMENSIONS ARE IN INCHES. UNLESS OTHERWISE SPECIFIED TOLERANCES DECIMALS \pm .010, ANGLES \pm 5°.
7. DIMENSIONING AND TOLERANCING IN ACCORDANCE WITH ASME Y14.5M-1994.
8. PART NUMBERS:

LETTERS "L" AND "H" IN PART NUMBERS INDICATE LOW FLOW AND HIGH FLOW RESPECTIVELY.

CODE "W" FOLLOWING BASIC PART NUMBER MS21944 SPECIFIES 7075 ALUMINUM ALLOY.

NO CODE LETTER FOR ALUMINUM ALLOY 2014/2024 ARE CANCELLED SUPERSEDED BY CODE "W" 7075 ALUMINUM. 2014/2024 PARTS ARE NO LONGER AVAILABLE FOR PROCUREMENT AFTER 2006.

EXAMPLES OF PART NUMBERS:

MS21944W5L - BOLT, .3125 TUBING, LOW FLOW, 7075 ALUMINUM ALLOY

MS21944W5H - BOLT, .3125 TUBING, HIGH FLOW, 7075 ALUMINUM ALLOY

 An SAE International Group	AEROSPACE STANDARD	 AS21944B SHEET 2 OF 3
	BODY, CLUSTER FITTING, TWO WAY, 180°, FLARELESS	